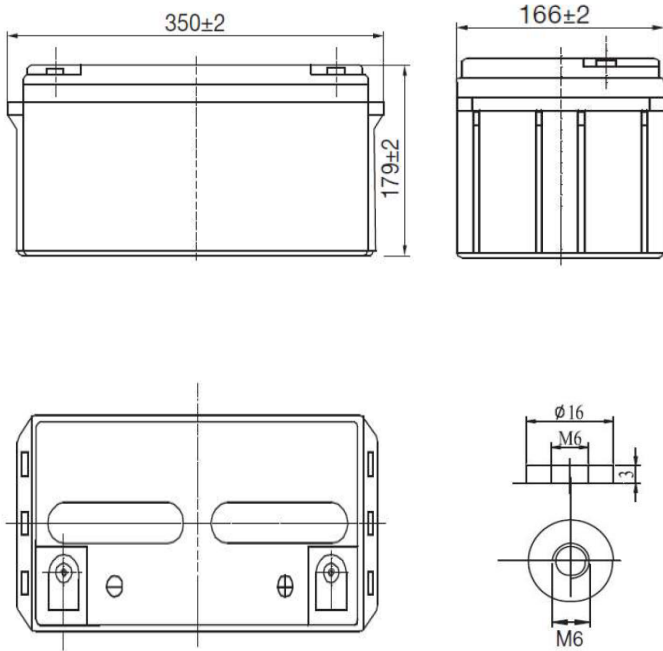


APPLICATIONS

- Uninterruptible Power Supplies (UPS)
- Electric Power Systems (EPS)
- Emergency backup power supplies
- Electronic apparatus and equipment
- Communication power supplies
- DC power supplies
- Auto control system



SPECIFICATIONS

Nominal Voltage	12 V	
Number of cells	6	
Design Floating Life (20°C)	10 years	
Dimensions	Length	350 mm
	Width	166 mm
	Height	179 mm
	Total Height	179 mm
Weight	23.0 kg	
Nominal Capacity (25°C)	20 hours rate (1.80)	84.0 Ah
	10 hours rate (1.80)	80.0 Ah
	5 hours rate (1.75)	70.5 Ah
	1 hour rate (1.65)	50.9 Ah
Internal Resistance (fully charged, 25°C)	4.50 mOhm	
Self Discharge	approx. 3% per month at 25°C	
Nominal Operating Temperature	25°C	
Operating Temperature range	Discharge	-15°C to 45°C
	Charge	0°C to 40°C
	Storage	-15°C to 40°C
Float Charging Voltage	2.27 to 2.30 V/cell at 25°C	
Temperature compensation	-18mV/°C	
Maximum charging current	20.0 A	
Maximum discharge current (25°C)	750 A (5 sec.)	
Short Circuit Current (25°C)	1100 A	

PERFORMANCE DATA

Discharge Constant Current at 25°C (Amperes)

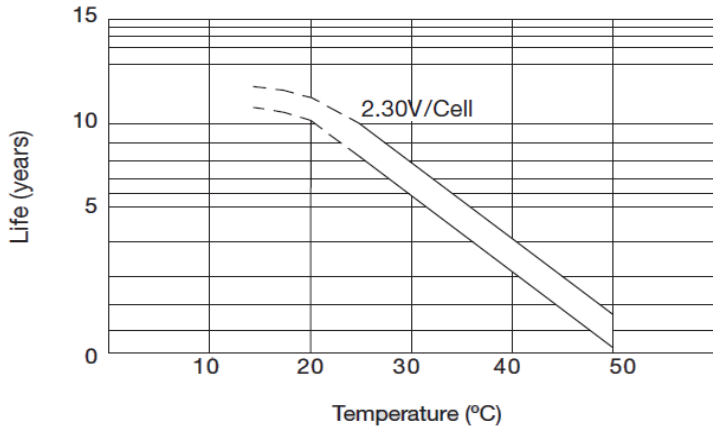
End Voltage (V/cell)	5min	10min	15min	20min	30min	45min	1h	2h	3h	4h	5h	6h	8h	10h	20h
1.60V	294	174	137	117	84.0	61.7	51.6	30.2	21.4	17.4	14.4	11.6	9.94	8.48	4.40
1.65V	284	169	134	110	81.9	59.2	50.9	29.4	21.3	17.3	14.3	11.5	9.83	8.37	4.35
1.70V	272	161	128	106	79.4	57.9	49.5	29.1	21.1	17.2	14.2	11.4	9.77	8.29	4.31
1.75V	262	156	124	103	77.5	55.8	48.6	28.7	21.0	16.9	14.1	11.4	9.70	8.15	4.26
1.80V	246	145	118	97.5	74.6	53.5	47.0	27.9	20.2	16.6	14.0	11.0	9.40	8.00	4.20

Discharge Constant Power at 25°C (Watts/Cell)

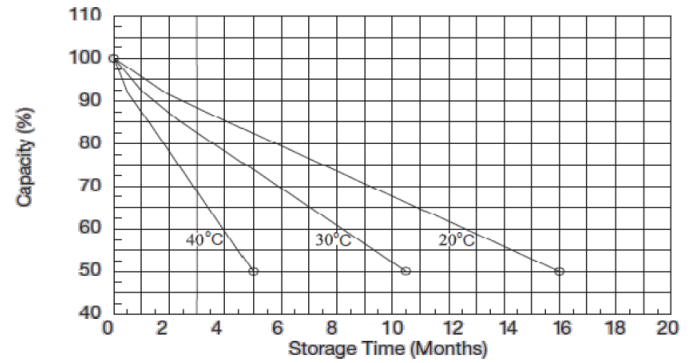
End Voltage (V/cell)	5min	10min	15min	20min	30min	45min	1h	2h	3h	4h	5h	6h	8h	10h	20h
1.60V	535	311	250	213	155	116	96.5	56.9	41.2	34.0	28.6	24.9	19.7	17.0	8.69
1.65V	518	302	244	209	152	113	95.2	56.7	40.9	33.8	28.4	24.7	19.6	16.9	8.67
1.70V	495	290	235	200	147	111	92.8	56.1	40.7	33.5	28.3	24.6	19.4	16.8	8.63
1.75V	476	277	227	194	144	107	90.9	55.4	40.3	33.3	27.9	24.3	19.3	16.5	8.59
1.80V	448	266	215	184	138	102	88.2	53.8	39.1	32.6	27.2	23.7	18.7	16.2	8.53

Note: The above characteristics data can be obtained within three charge/discharge cycles.

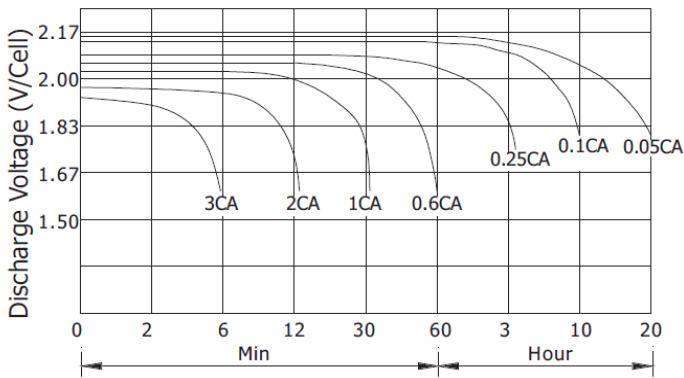
Temperature Effects on Float Life



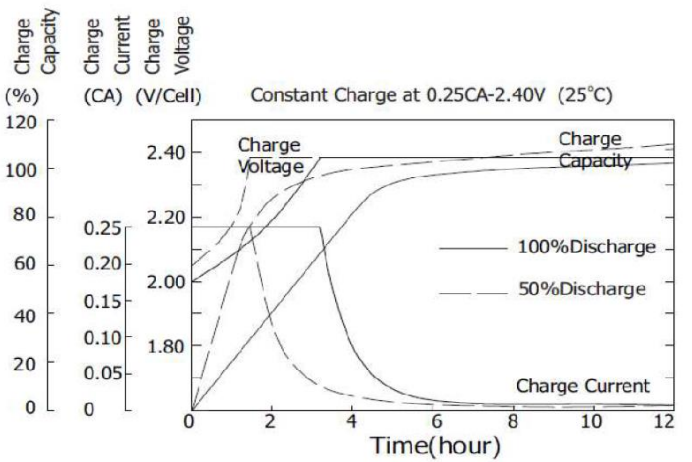
Self Discharge Characteristics



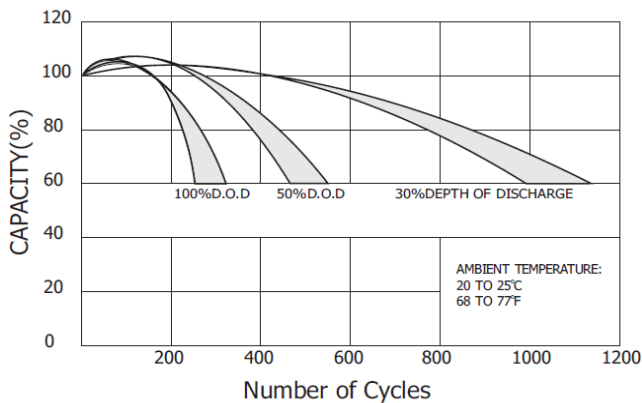
Discharge Characteristics (25°C)



Charging Characteristics (25°C)



Cycle Service Life in Relation to Depth of Discharge



Relationship Between OCV and Residual Capacity (25°C)

