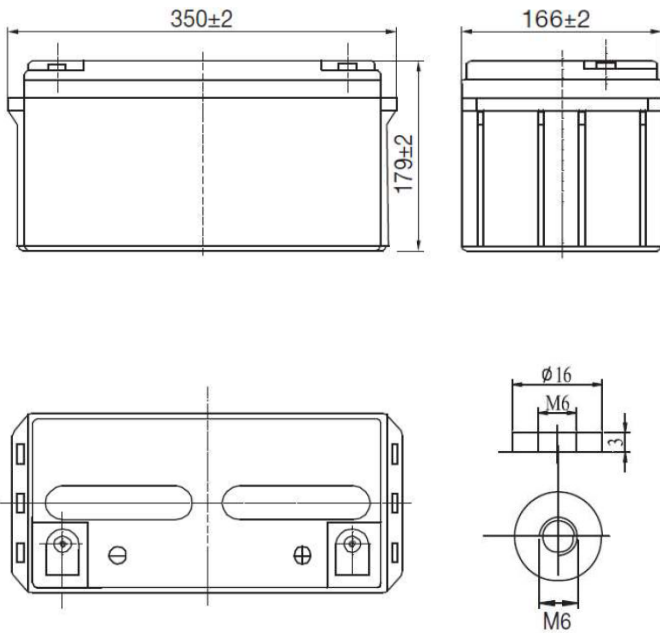


APPLICATIONS

- Uninterruptible Power Supplies (UPS)
- Electric Power Systems (EPS)
- Emergency backup power supplies
- Electronic apparatus and equipment
- Communication power supplies
- DC power supplies
- Auto control system



SPECIFICATIONS

Nominal Voltage	12 V	
Number of cells	6	
Design Floating Life (20°C)	10 years	
Dimensions	Length	350 mm
	Width	166 mm
	Height	179 mm
	Total Height	179 mm
Weight	20.3 kg	
Nominal Capacity (25°C)	20 hours rate (1.80)	69.0 Ah
	10 hours rate (1.80)	65.0 Ah
	5 hours rate (1.75)	58.5 Ah
	1 hour rate (1.65)	40.5 Ah
Internal Resistance (fully charged, 25°C)	6.00 mOhm	
Self Discharge	approx. 3% per month at 25°C	
Nominal Operating Temperature	25°C	
Operating Temperature range	Discharge	-15°C to 45°C
	Charge	0°C to 40°C
	Storage	-15°C to 40°C
Float Charging Voltage	2.27 to 2.30 V/cell at 25°C	
Temperature compensation	-18mV/°C	
Maximum charging current	16.25 A	
Maximum discharge current (25°C)	600 A (5 sec.)	
Short Circuit Current (25°C)	780 A	

PERFORMANCE DATA

Discharge Constant Current at 25°C (Amperes)

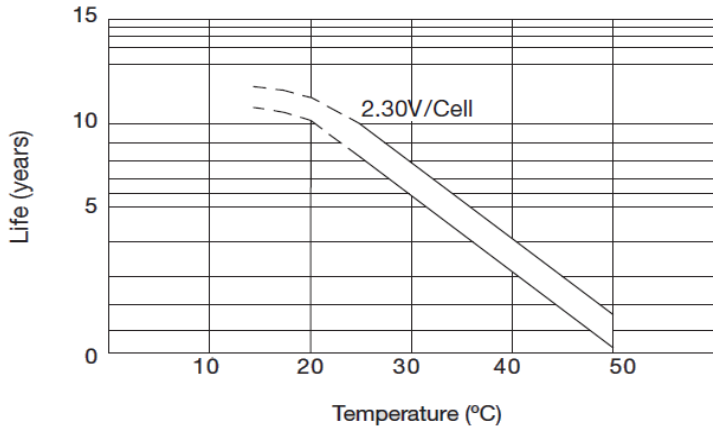
End Voltage (V/cell)	5min	10min	15min	20min	30min	45min	1h	2h	3h	4h	5h	6h	8h	10h	20h
1.60V	241	140	110	92.0	68.1	48.7	41.1	24.2	17.0	13.8	11.9	9.27	8.08	6.89	3.60
1.65V	231	135	108	90.3	66.7	47.9	40.5	24.0	16.9	13.7	11.8	9.19	8.03	6.79	3.56
1.70V	223	130	104	86.8	63.7	45.9	39.5	23.8	16.8	13.6	11.8	9.19	7.97	6.74	3.54
1.75V	212	125	101	83.7	62.1	45.7	38.7	23.3	16.7	13.5	11.7	9.11	7.92	6.62	3.50
1.80V	202	118	96.2	79.3	59.7	43.7	37.5	22.8	16.2	13.1	11.3	8.79	7.68	6.50	3.45

Discharge Constant Power at 25°C (Watts/Cell)

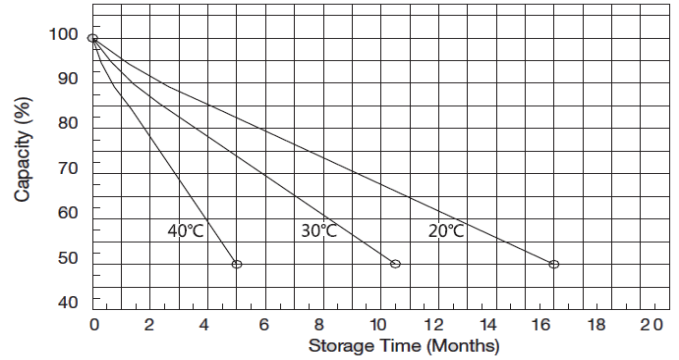
End Voltage (V/cell)	5min	10min	15min	20min	30min	45min	1h	2h	3h	4h	5h	6h	8h	10h	20h
1.60V	438	255	204	174	126	93.0	78.4	46.6	33.2	27.2	23.2	20.1	16.1	13.6	7.23
1.65V	421	248	199	169	124	91.5	77.4	46.2	33.0	27.0	23.0	19.9	16.0	13.6	7.22
1.70V	405	238	192	164	120	87.8	75.3	45.8	32.6	26.8	22.8	19.8	15.9	13.5	7.22
1.75V	386	227	185	158	117	87.4	73.8	45.1	32.5	26.6	22.7	19.6	15.8	13.4	7.17
1.80V	367	216	176	150	113	83.4	71.6	44.1	31.5	25.8	22.0	19.0	15.3	13.3	7.05

Note: The above characteristics data can be obtained within three charge/discharge cycles.

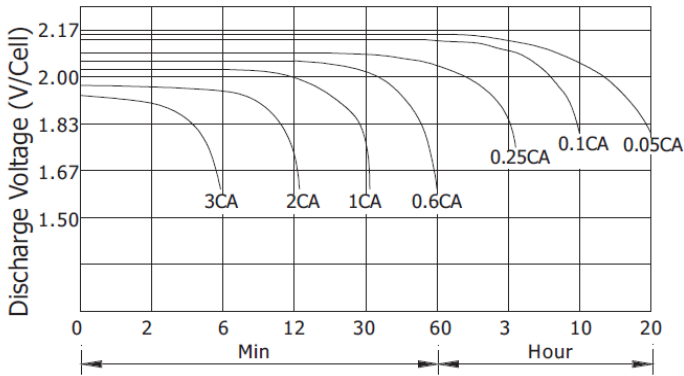
Temperature Effects on Float Life



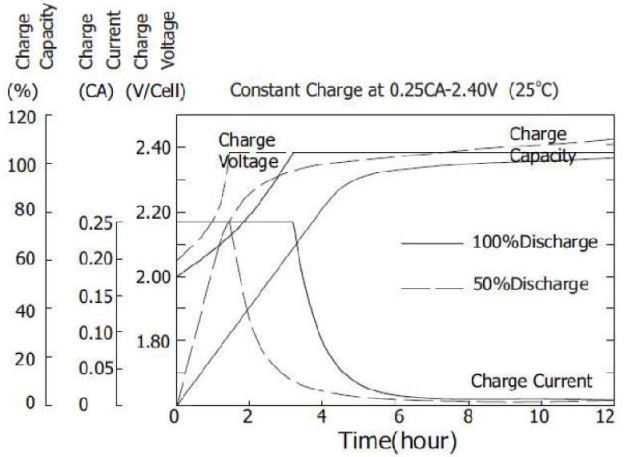
Self Discharge Characteristics



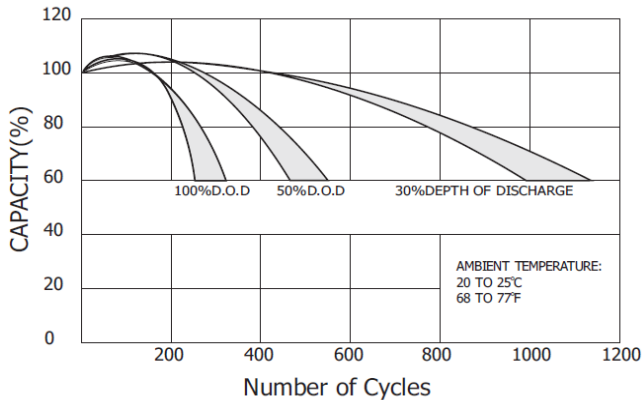
Discharge Characteristics (25°C)



Charging Characteristics (25°C)



Cycle Service Life in Relation to Depth of Discharge



Relationship Between OCV and Residual Capacity (25°C)

