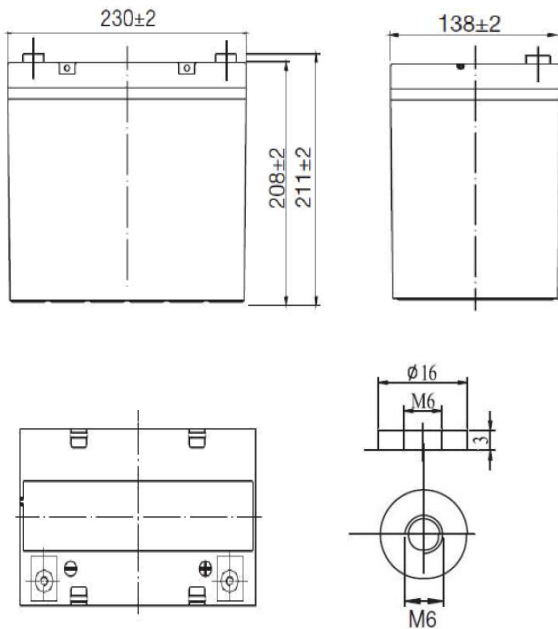


APPLICATIONS

- Uninterruptible Power Supplies (UPS)
- Electric Power Systems (EPS)
- Emergency backup power supplies
- Electronic apparatus and equipment
- Communication power supplies
- DC power supplies
- Auto control system



SPECIFICATIONS

Nominal Voltage	12 V	
Number of cells	6	
Design Floating Life (20°C)	10 years	
Dimensions	Length	230 mm
	Width	138 mm
	Height	208 mm
	Total Height	211 mm
Weight	16.1 kg	
Nominal Capacity (25°C)	20 hours rate (1.80)	58.2 Ah
	10 hours rate (1.80)	55.0 Ah
	5 hours rate (1.75)	48.3 Ah
	1 hour rate (1.65)	34.6 Ah
Internal Resistance (fully charged, 25°C)	8.20 mOhm	
Self Discharge	approx. 3% per month at 25°C	
Nominal Operating Temperature	25°C	
Operating Temperature range	Discharge	-15°C to 45°C
	Charge	0°C to 40°C
	Storage	-15°C to 40°C
Float Charging Voltage	2.27 to 2.30 V/cell at 25°C	
Temperature compensation	-20mV/°C	
Maximum charging current	13.75 A	
Maximum discharge current (25°C)	480 A (5 sec.)	
Short Circuit Current (25°C)	650 A	

PERFORMANCE DATA

Discharge Constant Current at 25°C (Amperes)

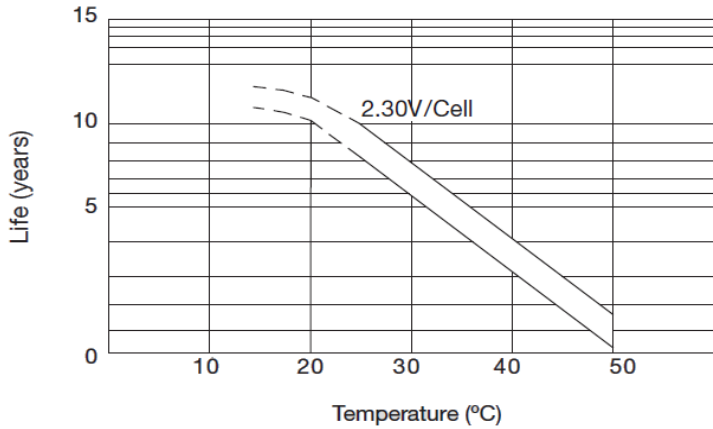
End Voltage (V/cell)	5min	10min	15min	20min	30min	45min	1h	2h	3h	4h	5h	6h	8h	10h	20h
1.60V	204	119	93.5	78.8	56.7	42.4	35.1	20.5	14.5	11.9	9.91	7.95	6.88	5.83	3.05
1.65V	196	115	91.3	76.2	55.5	41.7	34.6	20.3	14.4	11.8	9.82	7.90	6.81	5.74	3.04
1.70V	188	110	87.9	73.3	53.9	39.3	33.7	20.1	14.3	11.8	9.74	7.82	6.71	5.70	3.03
1.75V	181	107	85.3	70.8	52.5	38.4	32.7	19.8	14.3	11.7	9.66	7.80	6.63	5.60	3.02
1.80V	170	100	81.4	67.0	50.6	36.5	31.7	19.3	13.8	11.3	9.37	7.54	6.51	5.50	2.91

Discharge Constant Power at 25°C (Watts/Cell)

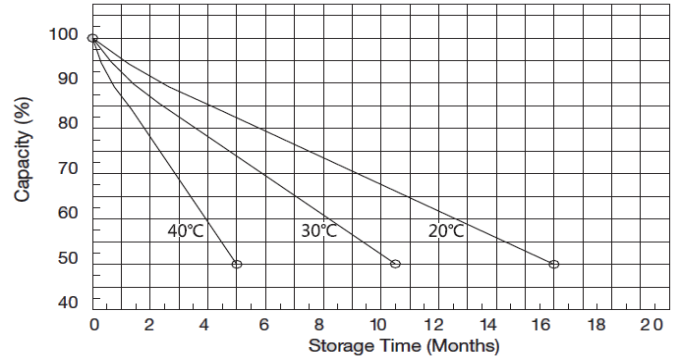
End Voltage (V/cell)	5min	10min	15min	20min	30min	45min	1h	2h	3h	4h	5h	6h	8h	10h	20h
1.60V	371	214	171	146	106.4	79.2	66.5	39.4	27.9	22.8	19.4	17.5	13.7	11.6	6.06
1.65V	357	208	167	144	104.4	78.0	65.4	39.2	27.7	22.8	19.3	17.4	13.6	11.6	6.04
1.70V	341	199	161	138	101.1	75.1	63.7	38.8	27.6	22.7	19.2	17.1	13.4	11.5	6.03
1.75V	329	191	155	134	98.7	73.3	62.5	38.2	27.4	22.5	19.1	16.7	13.2	11.5	5.99
1.80V	310	183	149	127	95.0	69.6	60.6	37.2	26.6	21.8	18.5	16.3	13.0	11.3	5.96

Note: The above characteristics data can be obtained within three charge/discharge cycles.

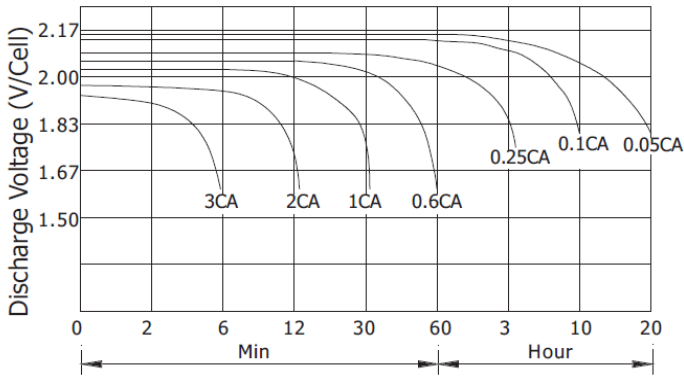
Temperature Effects on Float Life



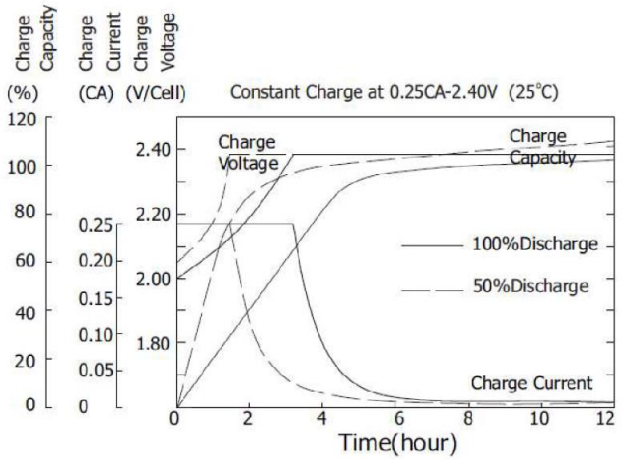
Self Discharge Characteristics



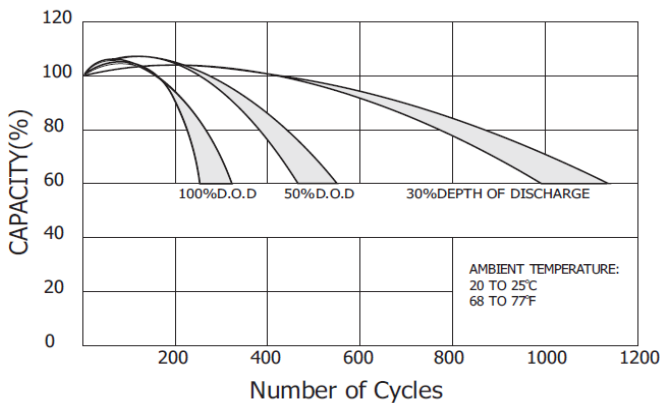
Discharge Characteristics (25°C)



Charging Characteristics (25°C)



Cycle Service Life in Relation to Depth of Discharge



Relationship Between OCV and Residual Capacity (25°C)

