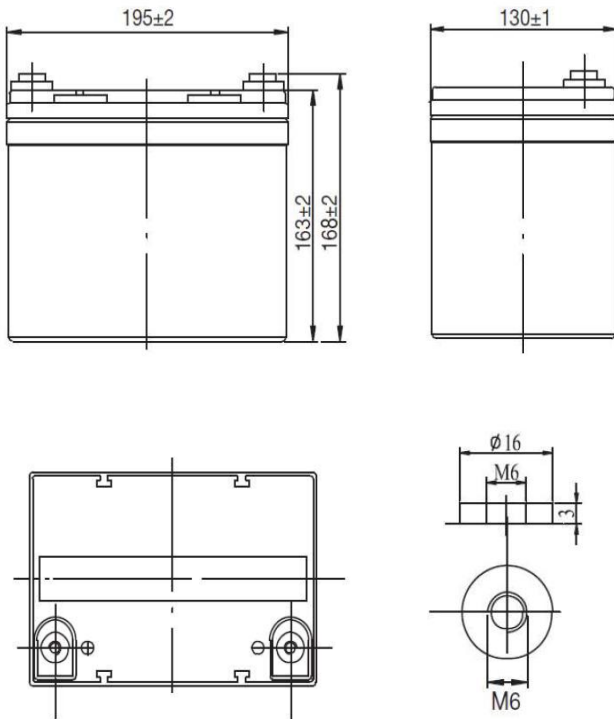


APPLICATIONS

- Uninterruptible Power Supplies (UPS)
- Electric Power Systems (EPS)
- Emergency backup power supplies
- Electronic apparatus and equipment
- Communication power supplies
- DC power supplies
- Auto control system



SPECIFICATIONS

Nominal Voltage	12 V	
Number of cells	6	
Design Floating Life (20°C)	10 years	
Dimensions	Length	195 mm
	Width	130 mm
	Height	163 mm
	Total Height	168 mm
Weight	9.50 kg	
Nominal Capacity (25°C)	20 hours rate (1.80)	35.0 Ah
	10 hours rate (1.80)	33.0 Ah
	5 hours rate (1.75)	29.0 Ah
	1 hour rate (1.65)	20.6 Ah
Internal Resistance (fully charged, 25°C)	12.5 mOhm	
Self Discharge	approx. 3% per month at 25°C	
Nominal Operating Temperature	25°C	
Operating Temperature range	Discharge	-15°C to 45°C
	Charge	0°C to 40°C
	Storage	-15°C to 40°C
Float Charging Voltage	2.27 to 2.30 V/cell at 25°C	
Temperature compensation	-20mV/°C	
Maximum charging current	9.90 A	
Maximum discharge current (25°C)	350 A (5 sec.)	
Short Circuit Current (25°C)	500 A	

PERFORMANCE DATA

Discharge Constant Current at 25°C (Amperes)

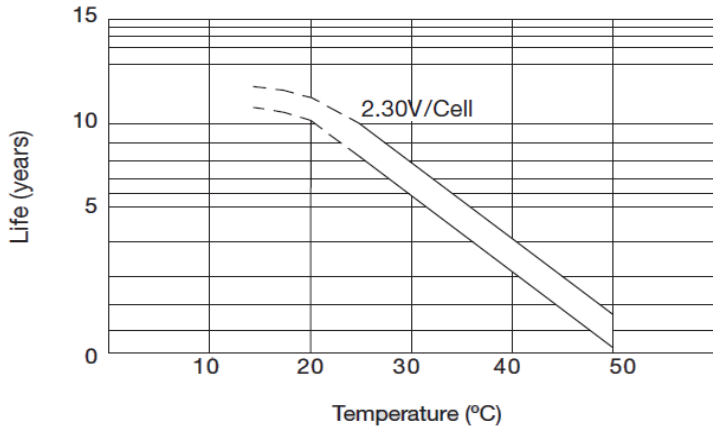
End Voltage (V/cell)	5min	10min	15min	20min	30min	45min	1h	2h	3h	4h	5h	6h	8h	10h	20h
1.60V	122	70.7	55.6	47.1	34.3	24.8	20.9	12.3	8.59	7.04	5.98	4.67	4.08	3.50	1.81
1.65V	118	68.6	54.2	45.9	33.9	24.4	20.6	12.2	8.54	7.00	5.88	4.64	4.06	3.47	1.81
1.70V	113	65.6	52.2	44.2	32.0	23.5	20.0	12.1	8.48	6.95	5.82	4.61	4.03	3.42	1.81
1.75V	109	64.4	51.2	42.7	31.2	23.3	19.7	11.9	8.42	6.91	5.80	4.58	4.00	3.36	1.79
1.80V	103	59.7	48.8	40.4	30.1	22.3	19.4	11.6	8.16	6.69	5.64	4.43	3.88	3.30	1.75

Discharge Constant Power at 25°C (Watts/Cell)

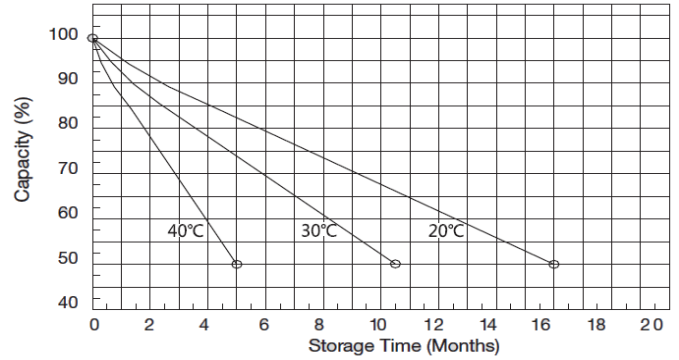
End Voltage (V/cell)	5min	10min	15min	20min	30min	45min	1h	2h	3h	4h	5h	6h	8h	10h	20h
1.60V	223	128	102	87.0	63.5	47.4	40.0	23.8	17.0	13.9	11.9	10.2	8.09	7.00	3.68
1.65V	215	125	101.0	84.9	62.3	46.6	39.5	23.6	16.9	13.8	11.7	10.1	8.02	6.91	3.68
1.70V	207	119	96.8	81.7	60.4	44.8	38.5	23.4	16.8	13.7	11.5	10.1	7.93	6.84	3.68
1.75V	198	114	93.7	78.9	58.9	44.6	37.6	23.0	16.7	13.6	11.4	10.0	7.89	6.72	3.62
1.80V	187	110	88.1	74.7	56.8	42.6	36.6	22.4	16.2	13.2	11.1	9.69	7.66	6.61	3.49

Note: The above characteristics data can be obtained within three charge/discharge cycles.

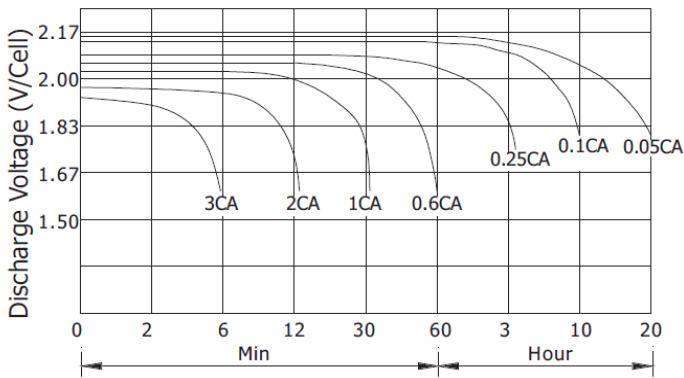
Temperature Effects on Float Life



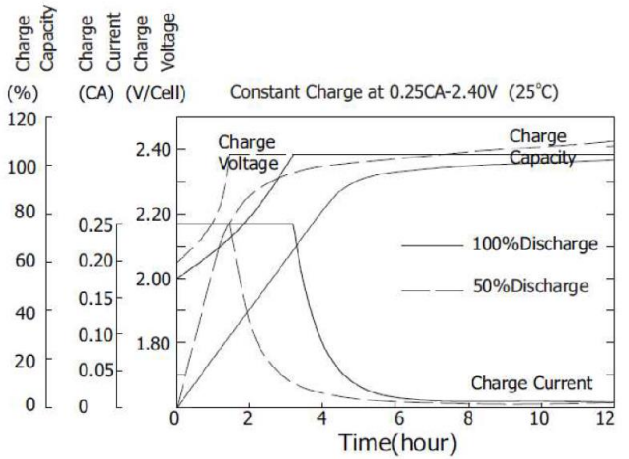
Self Discharge Characteristics



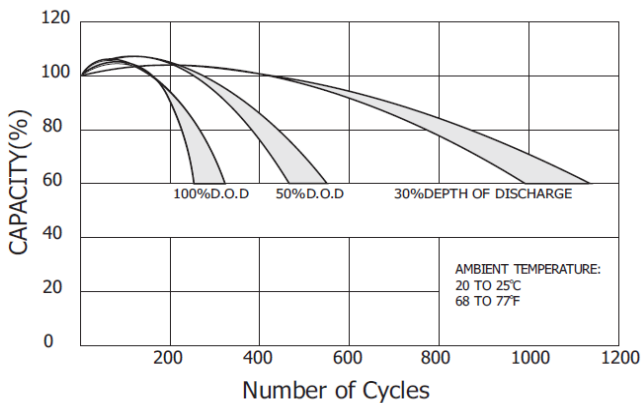
Discharge Characteristics (25°C)



Charging Characteristics (25°C)



Cycle Service Life in Relation to Depth of Discharge



Relationship Between OCV and Residual Capacity (25°C)

