

# ***EXTERNAL UPS RS232 PORT MULTIPLEXER***

***( ML100EX )***



## ***USER MANUAL***



## 1. GENERAL

Usually UPS devices has 1 serial communication port at some applications two serial connections to UPS needed at these case ,ML100 multiplexer unit duplicates the UPS RS232 port from 1 serial port to 2 serial ports. So the connection from remote panel to UPS and connection from PC to UPS is possible at the same time.

## 2. TECHNICAL SPECIFICATIONS

UPS port baud rate	2400 baud/ps (fix)
UPS port parity	none
UPS port stop bit	1
UPS port handshaking	none
COM1 port baud rate	2400 baud/ps (fix)
COM1 port parity	none
COM1 port stop bit	1
COM1 port handshaking	none
COM1–UPS port isolation	none
COM2 port baud rate	2400 baud/ps (fix)
COM2 port parity	none
COM2 port stop bit	1
COM2 port handshaking	none
COM1–UPS port isolation	Optically isolated
AC Operating voltage	170-250 volts AC / 50 Hz

## 3. THE FRONT PANEL

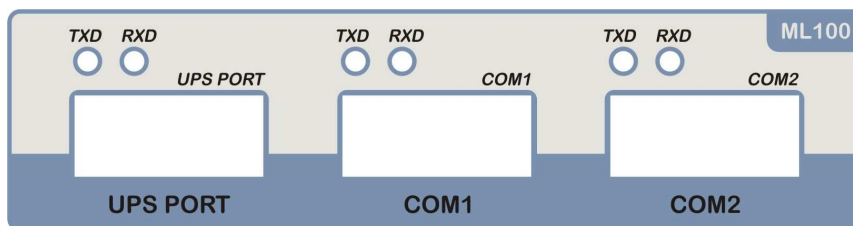


Figure-1

On the front panel of the unit there are 3 serial RS232 ports these are

<b>UPS PORT</b>	<b>Must be connected to UPS serial port</b>
COM1	Port 1 can be connected to a PC, Remote panel, SNMP adaptor, MODBUS adaptor
COM2	Port 2 can be connected to a PC, Remote panel, SNMP adaptor, MODBUS adaptor

On each serial port socket 2 indicator lamps are located .These lamps shows the port status if port is receiving data from any device or UPS the RED lamp lits ,if port is transmitting data to UPS or any device the green lamp lits.

If there is no data flow all lamps will be flash with interval. So the user can understand that the power is OK at the input of device.

#### 4. CONNECTION TO OTHER DEVICES

Com1 and com2 ports are optically isolated this method prevents cross current flows over 2 device which connected to ML100 com1 and com2 ports

COM1 and COM2 ports pin layout is same with all our UPS models(not standart RS232).

Any device (like PC,REMOTE PANEL,SNMP ADAPTOR,MODBUS ADAPTOR) which is connected to UPS can be connect to ML100 com1 or com2 ports.

Com1 and com2 port pinouts are same with any UPS serial port (not with this device's UPS port)

#### 5. APPLICATION

The following figure shows the possible connections for ML100 . To com1 or com2 serial port only 1 device can be connected. At the figure the possible options are showned.

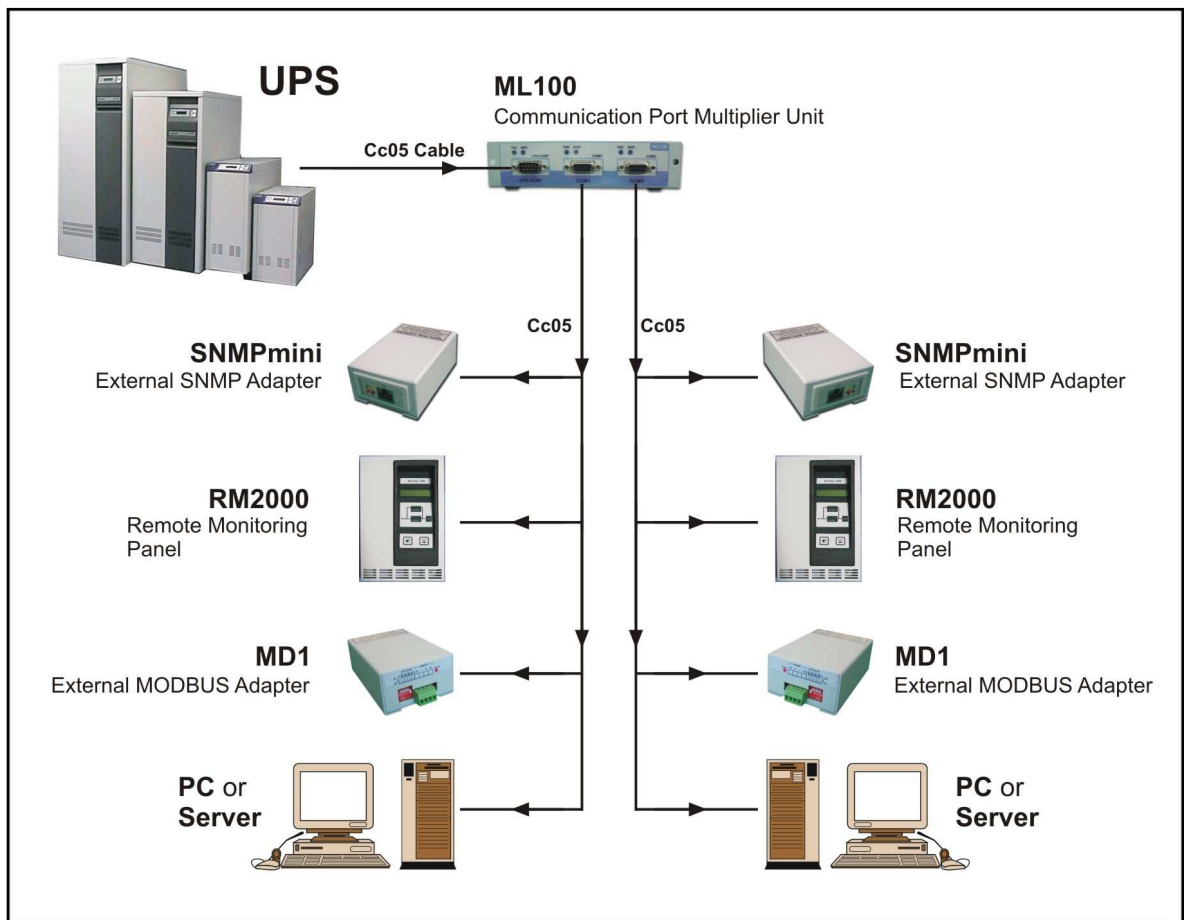


Figure-2

## 6. COMPATIBILITY TO DIFFERENT UPS MODELS

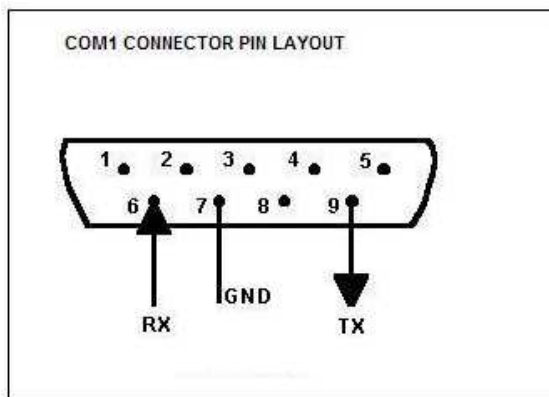
ML100EX device supports all our UPS models there is no compatibility problem.

## 7. CONNECTOR PIN LAYOUT

### The UPS port connector

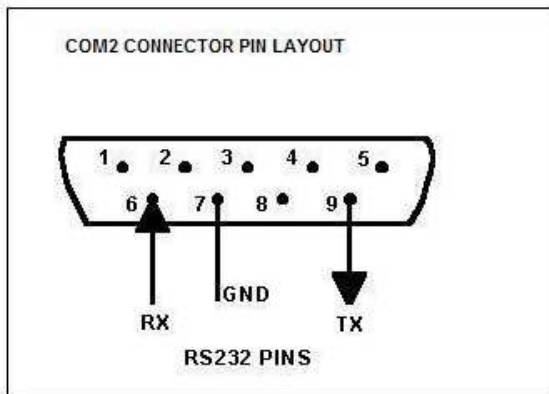
This connector is a standart PC side RS232 connector . To connect UPS port to UPS device please use CC05 cable.

### COM1 port connector



Description	cable
To connect com1 port to a PC	CC05
To connect com1 port to a SNMP	CC05
To connect com1 port to a Remote Panel	

### COM2 port connector”



Description	cable
To connect com2 port to a PC	CC05
To connect com2 port to a SNMP	CC05
To connect com2 port to a Remote Panel	

